

The Buckeye Backcheck

Newsletter of the Columbus Chapter of the Piano Technicians Guild
Volume 35 Issue 7 October 2010



MESSAGE FROM THE PRESIDENT



It was great to see so many of you at the chapter picnic! I really enjoyed having an informal get together with everyone and a chance to get to know you all a little better. Thanks so much to Mark and Marilyn for preparing the burgers and brats and for finding such a great spot to meet!

Two things happened to me this month that I would like to share with you. A week ago my wife and I decided to take a Sunday walk on the bike path. While we were away, someone threw a huge stone through the passenger window of my car and stole my wife's purse. With a two cent rock and less than a minute's time, the thief made off with every credit card, account number, and ID she had. Not to mention her cell phone, wallet, glasses, and the keys to our home and both cars. We have been "lucky" so far. Our accounts were untouched and no checks have been written with her check book. We have spent the last week canceling every card and changing every account number of course but in the end, the thieves got a sum total of \$30 cash and we got a couple thousand dollars in repair and replacement costs.

Secondly, I'm sure you have all heard of the tornados that hit our area. My family and I were exactly where they struck only minutes before! We received a tornado warning as we watched my son's football practice and thank God I listened to my wife (for once) and we left the area immediately.

ALWAYS TRUST A MOTHER'S INSTINCT!!! Because of Penny's quick thinking, we drove away minutes before the tornado hit the very spot we standing. The high school was severely damaged and many people lost their homes or sustained serious damage. But we are fine and our home escaped damage thank goodness.

I mention these two events to encourage you to attend our next meeting where the technical topic will be, insurance! Yes, a dull topic to be sure. But, considering the possibilities, are you covered? Are you sure??? On October 19th, Dean Nedvecki will join us at Henderson Music to discuss insurance coverage. Business and private insurance can make a profound difference in your life when you least expect it. We all carry carry hundreds or even thousands of dollars worth of tools in our cars every day. Who knows, perhaps the next big rock through the window will be yours...

Hope to see you there,

Chris

The Buckeye Backcheck

Newsletter of the Columbus Chapter of the Piano Technicians Guild

CHAPTER PICNIC



Our chapter picnic was September 18 at Blendon Woods Metropark. The food and the setting were great and it couldn't have been a nicer day.

Upcoming Meetings

The next chapter meeting is October 19th at Henderson's Music. Dean Nedvecki will arrange the technical at the meeting on Health Insurance, the new rules and of course Aflak. He is going to arrange Rick Parks, an insurance representative, to do most of the explaining since this is a part time gig for Dean, but he will be there as well and looks forward to seeing everyone.

Dave McDonald is pretty sure we can have the Nov. 16 meeting (my postponed technical on Hammer filing tips) at Piano Warehouse on Proprietor's Road in Worthington.

- Kim Hoessly

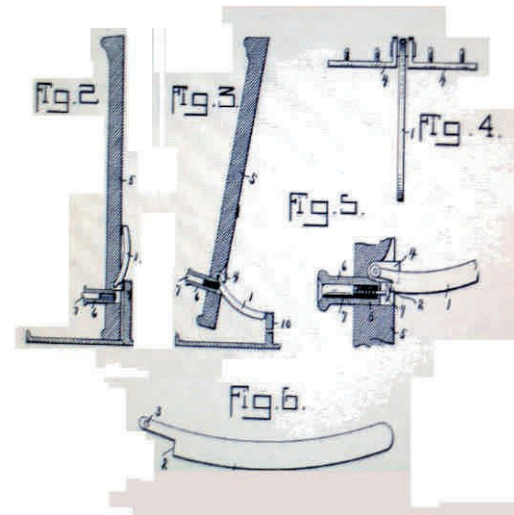
The Buckeye Backcheck

Newsletter of the Columbus Chapter of the Piano Technicians Guild

Update on the Stultz & Bauer

by Mark Ritchie

While in the process of finishing the restoration on the Stultz & Bauer upright I realized there was something missing from the music desk operation. (see arrow) I was not able to figure out how the music desk would open and close. Fortunate for me there was a patent date on the one remaining piece of the system. I was able to search the US patent office site and locate information on the Fredrick Bauer patent for the pivoted prop from 1905. (see patent diagram) Below is my attempt at recreating the plunger 3/8" dowel drilled to accept a jack spring attached to a screw type knob.



FROM OTHER NEWSLETTERS

On a sad note, we have lost two giant icons of our industry.

From the Syracuse Chapter

I received an email that Susan Graham, RPT, was tragically killed when her scooter hydroplaned and crashed. Susan visited our chapter at Martin's Pianos many years ago when the Baldwin 52" vertical was introduced. Her "Shop Talk" articles in the Journal were insightful and educating. She was truly a bright star in our profession.

From the Fall 2010 Allied Piano Newsletter

Webb Phillips, founder of Allied Piano, passed away peacefully in his sleep on Thursday, August 12 at the Neshaminy Manor Nursing Home, where he had resided for the past year and a half. He was 83 years old. His wife Ruth, President of Allied Piano, and friends were at his side. Webb founded the Allied Guild of Piano & Organ Technicians, the original service name, in 1970. This startup company specializing in service, rebuilding and refinishing became one of the largest and most respected in the greater Philadelphia area. Over the years, with Webb and his wife Ruth's nationally recognized expertise in piano service and wood finishing, they expanded into distribution. With Webb's leadership and guidance, the company has successfully grown to include Allied Piano, LakeOne USA, Allied Piano Service, Main Line Piano Service and Webb Phillips Associates.

The Buckeye Backcheck

Newsletter of the Columbus Chapter of the Piano Technicians Guild

FROM EVAN BINGHAM: A FEW PICTURES FROM THE CONVENTION

The Hotel

With a friend at Caesar's Palace

The trade show floor

Yamaha reception and recital

From John Schmoll

I have a customer who has asked me to publicise this among the chapter members:

This is a Lester parlor grand. It is intact - no parts are missing; it has the music rack, the bench, everything. My parents bought it secondhand in the early 60s. I think it is correct to say that the soundboard is cracked, it doesn't hold a tune very well, and the cabinet needs to be refinished. (You will know more about that than I do.) I am willing to accept about any offer I get, knowing that a considerable amount of time and money will have to be invested in renovating it. Interested persons may contact me, and I will make arrangements to show them the piano.

Kathy Jordan

kcwjordan@yahoo.com

740-763-4229





The Buckeye Backcheck

Newsletter of the Columbus Chapter of the Piano Technicians Guild

www.ptgcolumbus.org

Columbus Chapter of the Piano Technicians Guild

President	Chris Purdy, RPT
Vice-President	Mark Ritchie, RPT
Treasurer	Ron Kenreich
Secretary	Christopher Burget
Imm. Past Pres.	Kim Hoessly, RPT

Contributions and pictures for the Buckeye Backcheck and the web page are always welcome, (even if they are only peripherally related to pianos)!

- David

Upcoming Meetings

Tuesday, Oct. 19, 7:30pm
Henderson Music, 2829 Festival Lane
(Strip mall SE of 161 & Sawmill Rd.)
Program: Insurance for the self-employed

Tuesday, Nov. 16, 7:30pm
Program: Hammer shaping

*Many thanks to Chris Purdy, Mark Ritchie, Kim Hoessly
and Evan Bingham for their contributions!*

This newsletter was created using the open-source program *Scribus* running on the Linux/Ubuntu operating system.

Disclaimer:

All expressions of opinion and all statements of supposed facts are published on the authority of the author as listed and are not to be regarded as expressing the views of the Columbus Chapter of the Piano Technicians Guild unless such statements or opinions have been adopted by the chapter or the guild.

Articles and illustrations may be re-printed by other PTG newsletters with proper acknowledgment, unless otherwise indicated in the article.

Comments, articles, and advertising requests may be sent to the editor.

David B. Stang, 286 E. Kelso Rd., Columbus, OH 43202 stang_db@yahoo.com